



tbtsys.com



Multi Sensor Thermal Imaging PTZ Camera

FEATURES

Pan Tilt Driver

- 5 Max Sensor Support (2 Cameras / 3 Other sensors)
- 1 DMC Inner Support
- 2-Axis Gyro-Stabilization (Option)
- GPS (Ext-Antenna Support)
- 360° Endless Panning / -40° ~ +95° Tilting

Cooled Thermal Imaging Camera

- Detector type : Cooled InSb 15μm
- NETD : <17mk(F4.0) / <20mk(F5.5) typical (without lens)
- Continuous ZOOM LENS
- Advanced image processing
 - Multi Contrast Image Detail Enhancement (MIDE)
 - Image Definition Enhancement (Sharpness)
 - Effective Digital Image Stabilizer Include (DIS)
- Cooler - MTBF(Mean Time Between Failures) 10,000 hours

Uncooled Thermal Imaging Camera

- 1280x720p Video Resolution
- Lowest NETD : <50mk (Option : <35mk)
- Pixel Pitch : 17μm

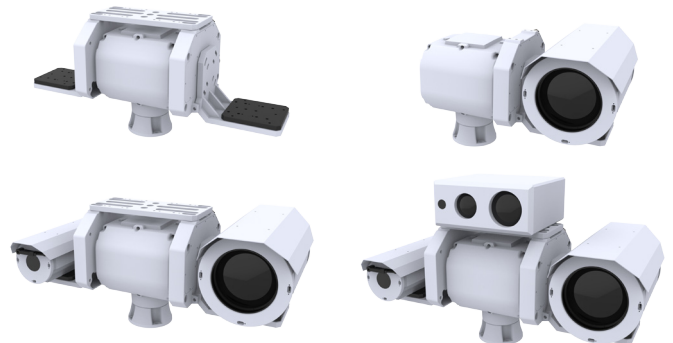
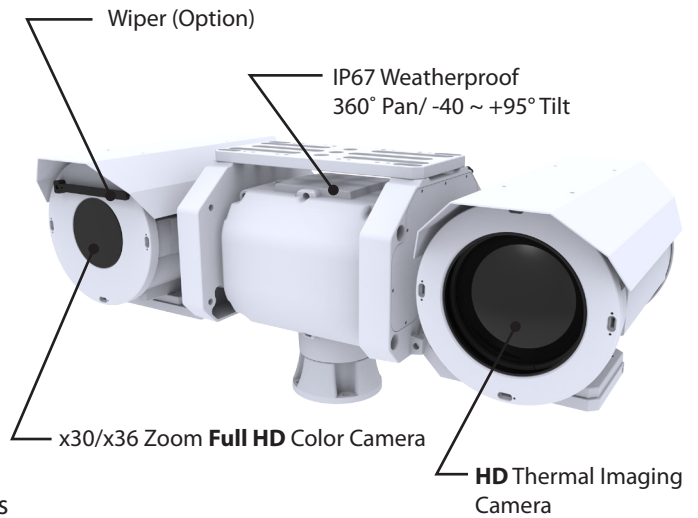
Visible Camera

- 2 Megapixel 30x / 36x Zoom Full HD Camera
- Wiper Type (Option)

LRF or ZLID(Zoom Laser IR Diode)

- Available

MULTI SENSOR THERMAL IMAGING PTZ CAMERA



* Specifications and images are subject to change without notice.

SPECIFICATIONS * Specifications are subject to change without notice.

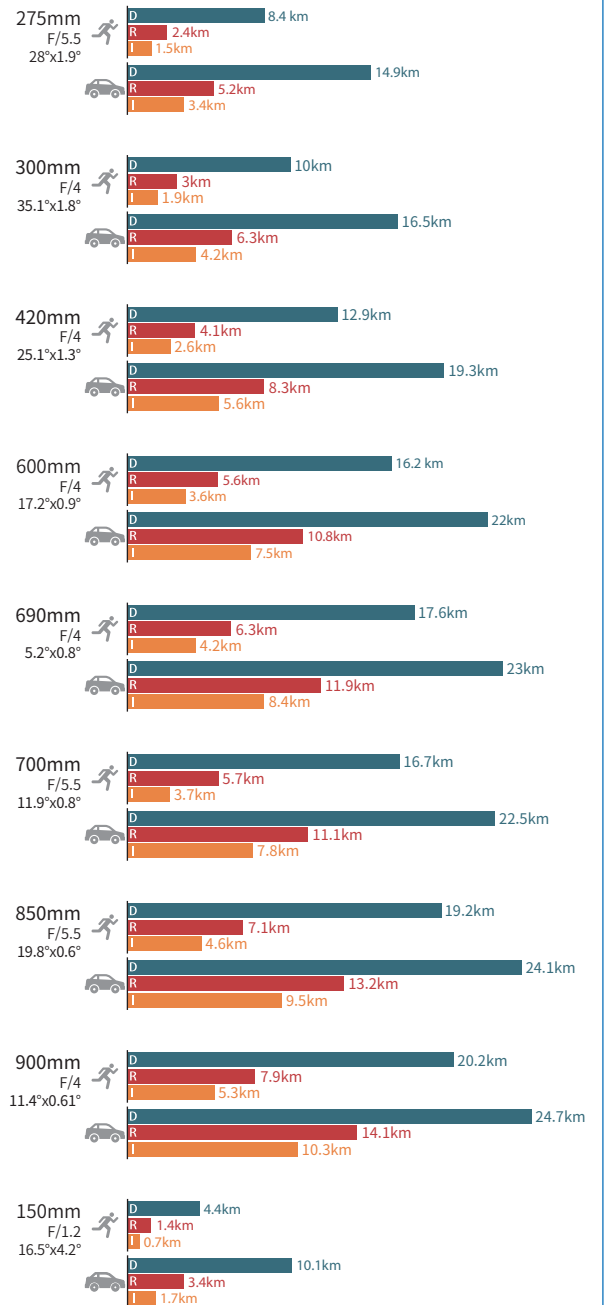
COOLED THERMAL	F 4.0	F 5.5
DETECTOR		
Detector Type	Cooled InSb FPA, 640 x 512	
Pixel Pitch	15μm	
Wave Length	3 ~ 5μm	
NETD	<17mK typical (without lens)	<20mK typical (without lens)
COOLER		
Cooler Type	Rotary Stirling Cooler, MTBF : 10,000Hours	
Cool down Time	<7 Minute(@25°C, Max)	
VIDEO		
Output Frequency	NTSC : 59.94Hz (30fps), PAL : 50Hz(25fps)	
Video Output	CVBS : 1.0Vp-p / 75Ω, Option (CameraLink, HD-SDI, BT.1120)	
Resolution	640(H) x 512(V)	
LENS		
Lens	15 to 300mm (35.1° ~ 1.8°) / 21 to 420 mm (25.1° ~ 1.3°) / 30 to 600mm (17.2° ~ 0.9°) / 35 to 690mm (15.2° ~ 0.8°) / 45 to 900mm (11.4° ~ 0.61°)	20 to 275 (28° ~ 1.9°) / 48.5 to 700mm (11.9° ~ 0.8°) / 28 to 850mm (19.8° ~ 0.6°)

UNCOOLED THERMAL	
DETECTOR	
Detector Type	Uncooled Micro Bolometer, 640 x 480
Pixel Pitch	17μm
Wave Length	8 ~ 14μm
NETD	<50mk(@300K,F1.0) (Option: <35mk)
VIDEO	
Output Frequency	NTSC : 59.94Hz (30fps), PAL : 50Hz (25fps)
Resolution	1280 x 720
LENS	
Lens	37.5-150mm (16.5° ~ 4.2°) F1.2

DAY & NIGHT CAMERA	
DETECTOR	
Image Sensor	1/2.8" Type "Exmor R" CMOS Sensor
Resolution	1920x1080@30fps
Luminance S/N ratio	More than 50dB
LENS	
Lens	30x F=1.6 ~ 4.7, f=4.3 ~ 129mm (Optical 30x, Digital 12x Zoom) 36x F=1.5 ~ 4.8, f=6 ~ 216mm (Optical 36x, Digital 32x Zoom)

PAN TILT DRIVER	
PAN/TILT	
Pan	0° ~ 360° Endless
Tilt	-40° ~ +95°
Speed	Pan : 0.0037°/Sec~70°/Sec, Tilt : 0.0037°/Sec~70°/Sec
System Accuracy	± 0.027 mrad (< 0.00156°)
Stabilizer Feature	Option (2 Axis MEMS Gyro Stabilization System)
Programmable Presets	255 positions
Video Output	CVBS : 1.0Vp-p / 75Ω, CVBS Out 2Channel (Thermal, Day Night)
Alarm Input	2 Alarms (With various programmable states)
Aux Output	2 Relay
MECHANICAL	
Weight	23kg (Without Tilt Cameras)
Operating Temperature	-40°C ~ 55°C
POWER	
Power Input	DC 24V 5A
INTERFACE	
Supported Sensor Interface	RS-422, UART
Control Interface	RS-422, Ethernet 3CH (Video 2CH, Control 1CH)
NETWORK	
Ethernet	100 BaseT

RANGE PERFORMANCE (LENS OPTIONS)



D Detection
R Recognition
I Identification
 Human (1.8 x 0.5 m)
 Vehicle (2.3 x 2.3 m)

* Actual range may vary depending on camera setting, environmental conditions and type of monitor used.

DIMENSIONS

